

Interactive Audio Player - IAP-1

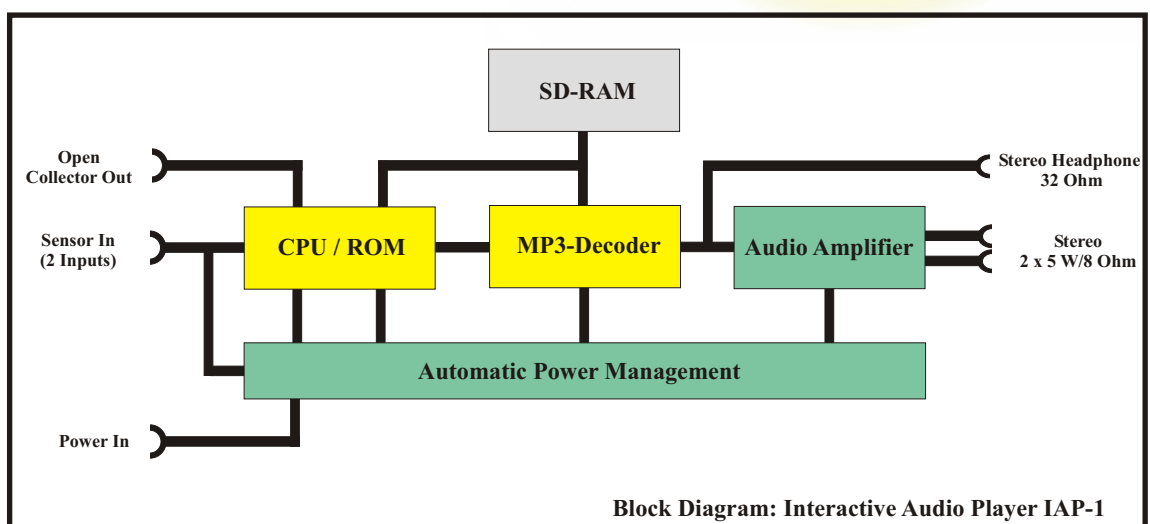
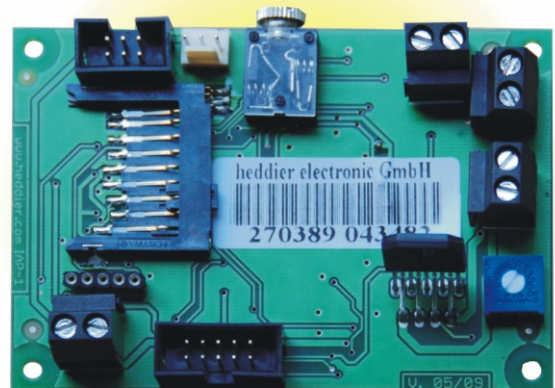
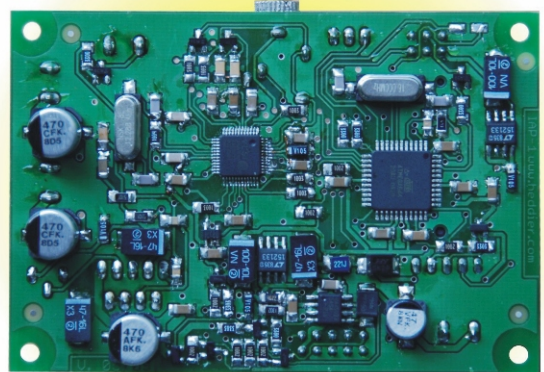
Programmable MP3-Flash Player

The heddier Audio Player IAP-1 is the ideal playback device for MP3 audio files. Thanks to its compact construction form (like check card) and versatile ports it is the perfect electronic device for playback applications for use in museums, exhibitions or within the retail trade. The Audio Player IAP-1 is especially designed for a continuous 24/7 operation. Unlike PCs or HD-Players, the Audio Player IAP-1 can function entirely without loose or moveable parts such as fans or hard drives.

There are several options to hook up the Audio Player IAP-1: by using an external pushbutton, a capacitive proximity sensor and a radar sensor made by heddier electronic (max. 2 at once).

The electronic components such as SD card (optional), NF amplifier and control are located on the IAP-1 circuit board. As soon as the device is provided with the operating voltage it is ready for use.

All information required for control i.e. loop greeting file, audio file following sensor signal, control commands for volume, bass, treble are saved on the SD card in form of a XML file in cleartext. Thus the programming does not require any special programming experience or expertise. The writing of the SD card is possible by using any commercially available card reader.



Block Diagram: Interactive Audio Player IAP-1

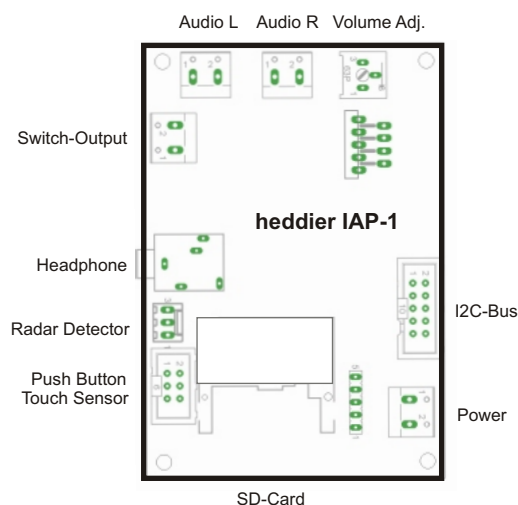
Interactive Audio Player - IAP-1

Technical Specifications

- High-performance interactive Audio Player for audio file playback
- High-quality MP3 file playback
- Intelligent power management for battery and solar panel application
- Direct hook up of max. two external pushbuttons, capacitive proximity sensors or radar sensors
- Integrated NF amplifier 2 x 5 watt to 8 ohm, adjustment via software and manually via control dial
- Stereo signal output for external amplifier or headphone, 32 Ohm
- External control output for switching of external units and lighting
- Easy programming via cleartext XML
- Fit for 24/7 continuous operation

Applications and Areas of Application

- Independent playback device for MP3 audio files
- Audio stations for museums, exhibitions and store construction (fit for 24/7 use)
- Shop-In-Shop-Systems
- Talking proximity sensitive dummies (electronic butlers)
- Interactive glass cabinets featuring audio playback
- Outdoor audio stations operated Via solar system
- Intelligent alarm systems



Technical Data

Audio Playback:	MP3, stereo, max. 320 kBit/sec, 8 kHz up to 48 kHz
Storage Media:	SD card, FAT32 format
Audio-Outputs:	Headphone socket, 32 ohm, 3.5 mm stereo connector Screwing terminals 2 x 5 watt, stereo 8 ohm
Other Outputs:	Control output Open Collector for external units
Inputs:	Hook up interactive sensor (Mirrormaid, ST-Sensor) Hook up mechanic pushbutton Hook up radar sensor Hook up customer sensors on demand (It is possible to hook up two of the abovementioned sensors.) I2C-bus for external upgrading Operating voltage featuring protection against polarity reversal
Software Settings:	Intro audio file Audio file following sensor activity Volume 0 ... 100% Bass 0 ... 15 Treble 0 ... 15 LED-control Sleep time (Power-Down-Mode) < 1 mA
Operating Voltage:	12 volt DC, max. 2 A DC, sleep mode < 1 mA
Size:	90 x 60 x 35 (W x D x H in mm)
Weight:	approx. 100 grams
Scope of Delivery :	Audio player IAP-1 circuit board
Packaging:	Paperboard container or antistatic foil

Technical modifications and errors are subject to change without further notice.